



RAMA UNIVERSITY

www.ramauniversity.ac.in

FACULTY OF ENGINEERING & TECHNOLOGY

BCA-302 Computer Networks

Lecture-18

Mr. Dilip Kumar J Saini

Assistant Professor

Computer Science & Engineering

OUTLINE

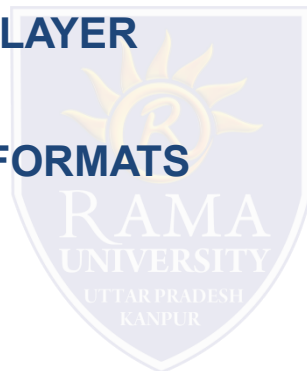
➤ **RFID EPC Gen 2 Architecture**

➤ **EPC GEN 2 PHYSICAL LAYER**

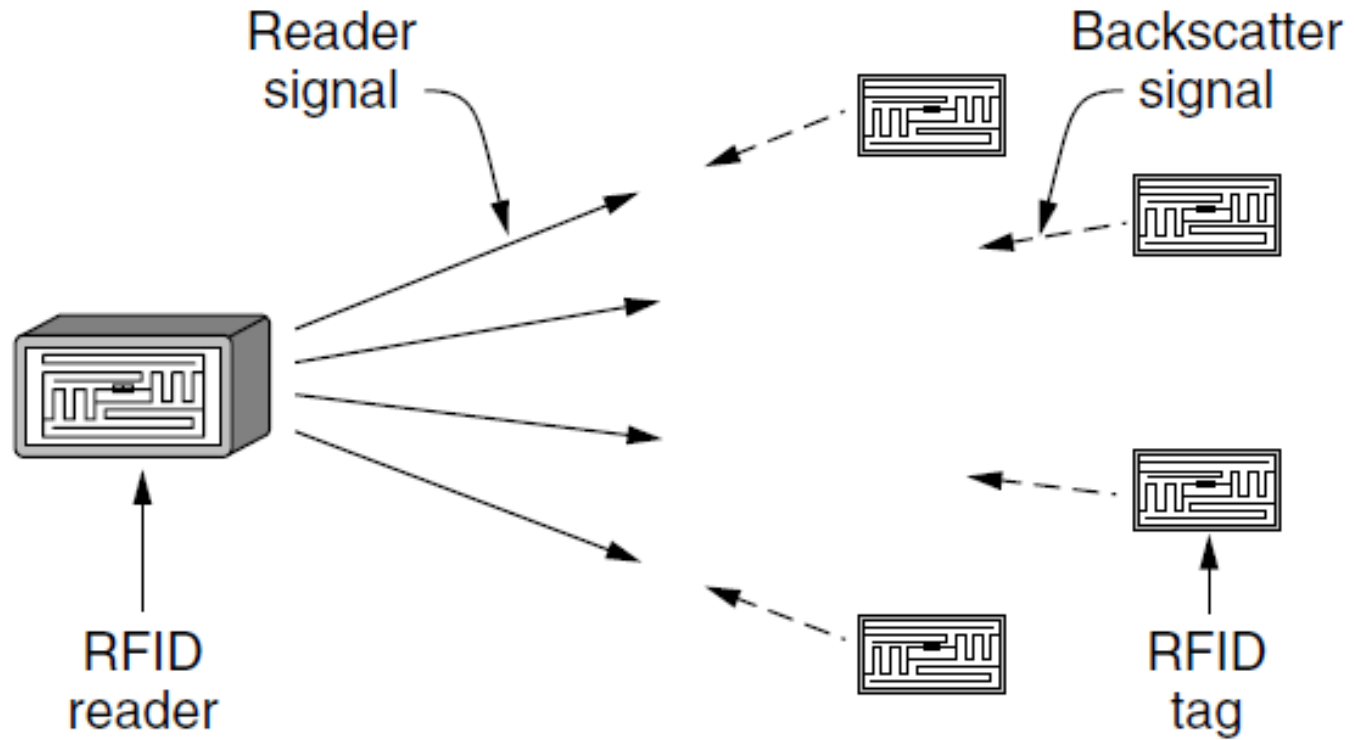
➤ **EPC GEN 2 TAG IDENTIFICATION LAYER**

➤ **TAG IDENTIFICATION MESSAGE FORMATS**

➤ **DATA LINK LAYER SWITCHING**

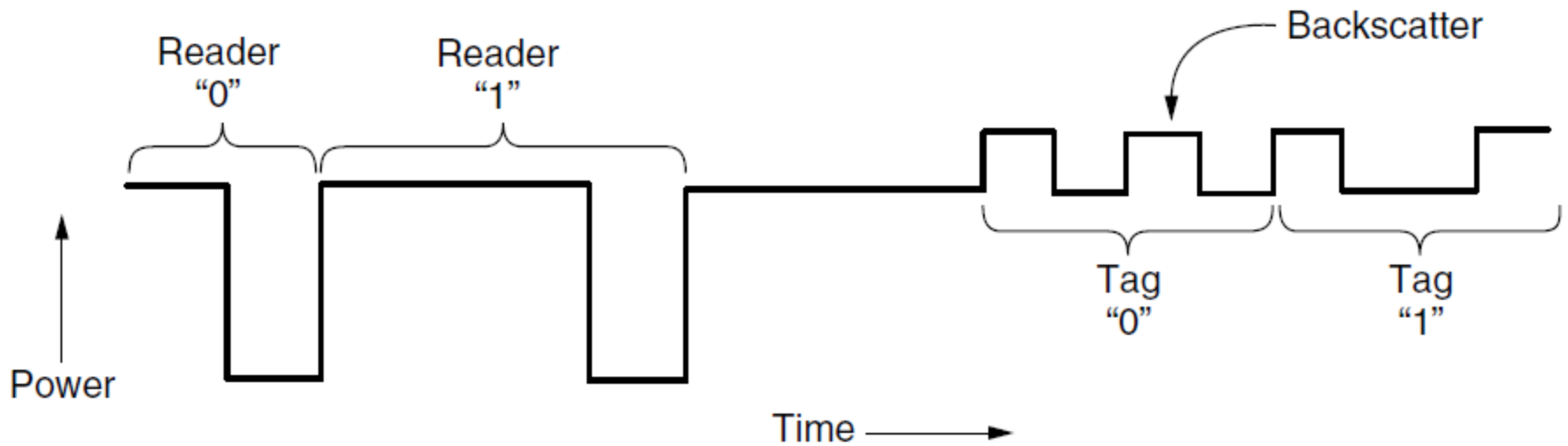


RFID EPC Gen 2 Architecture

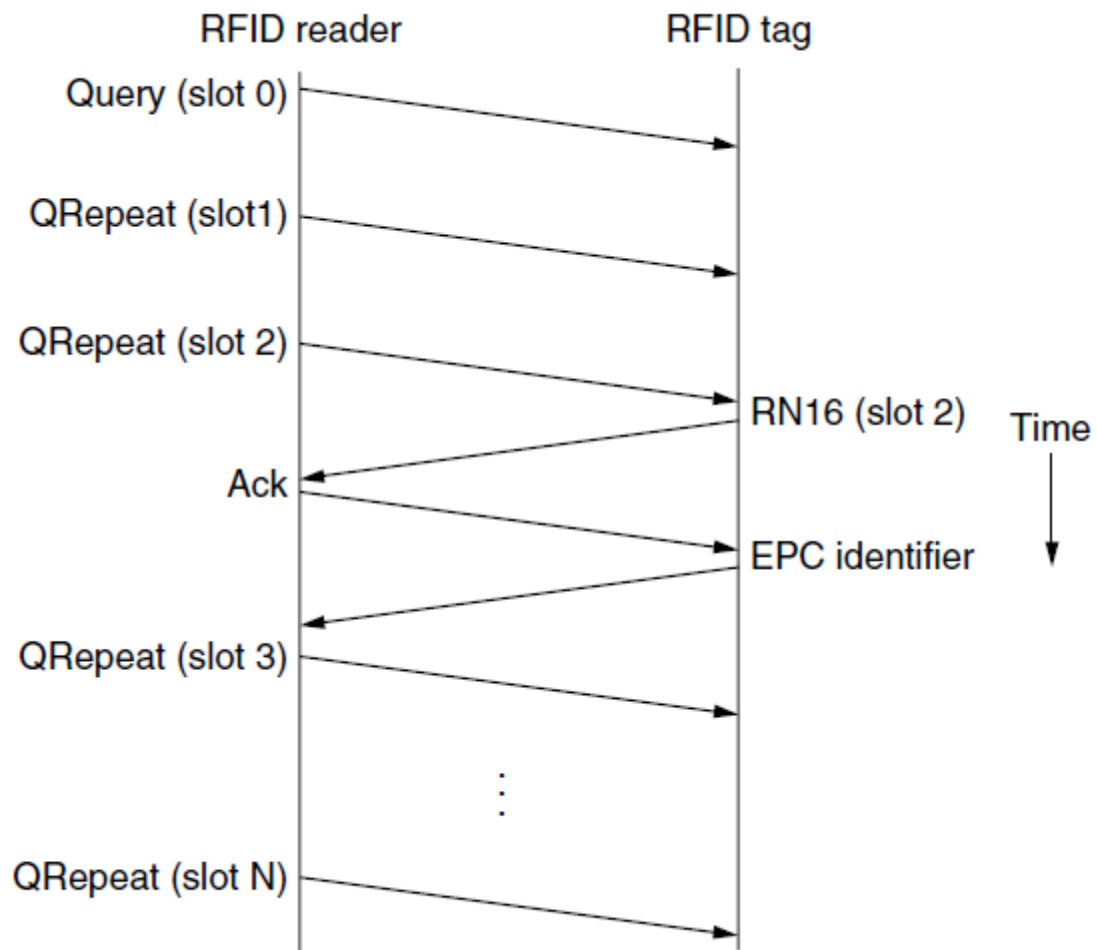


EPC GEN 2 PHYSICAL LAYER

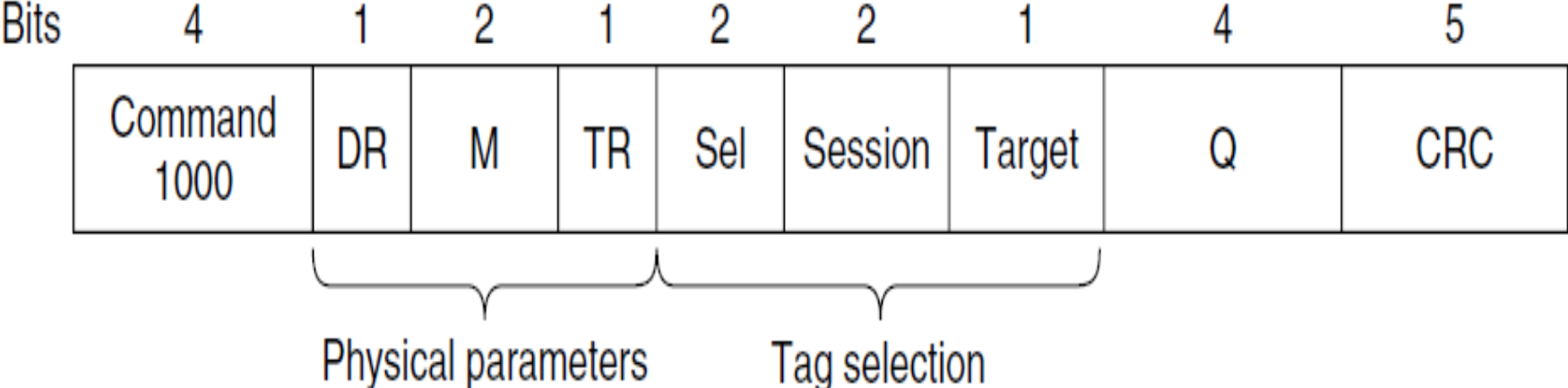
Reader and tag backscatter signals



EPC GEN 2 TAG IDENTIFICATION LAYER

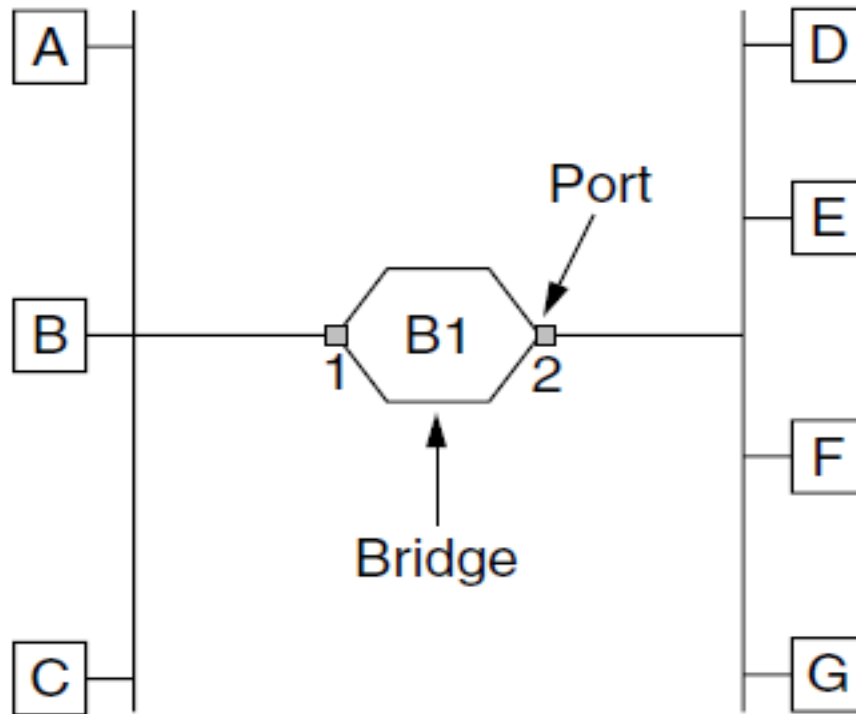


TAG IDENTIFICATION MESSAGE FORMATS



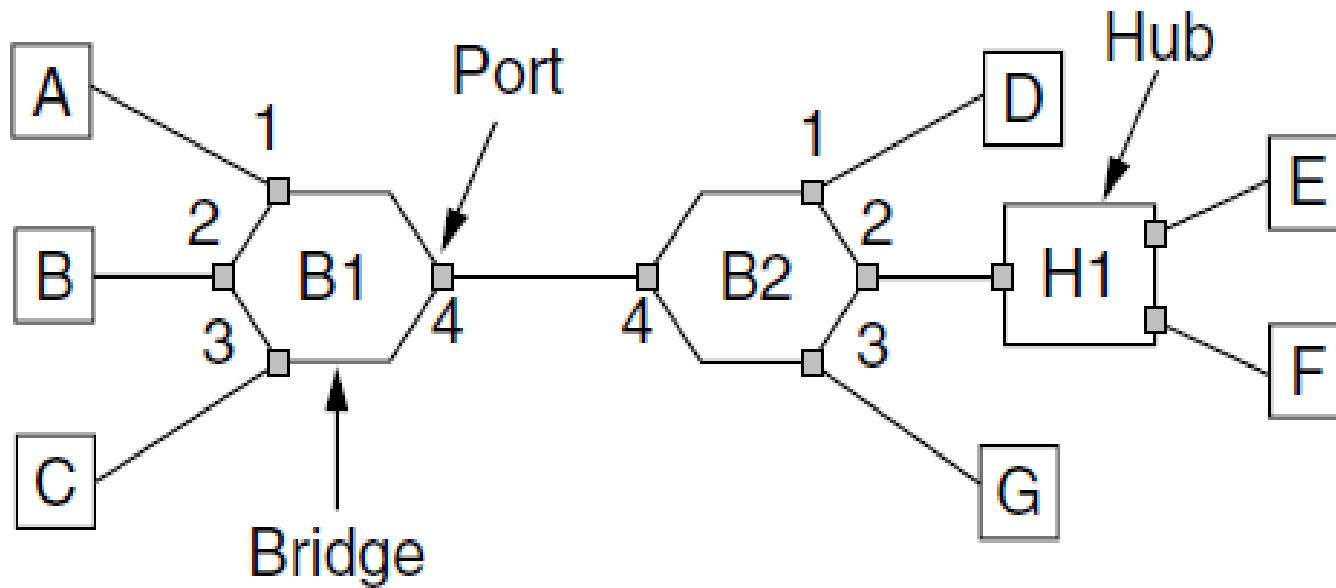
DATA LINK LAYER SWITCHING

Learning Bridges Bridge connecting two multidrop LANs



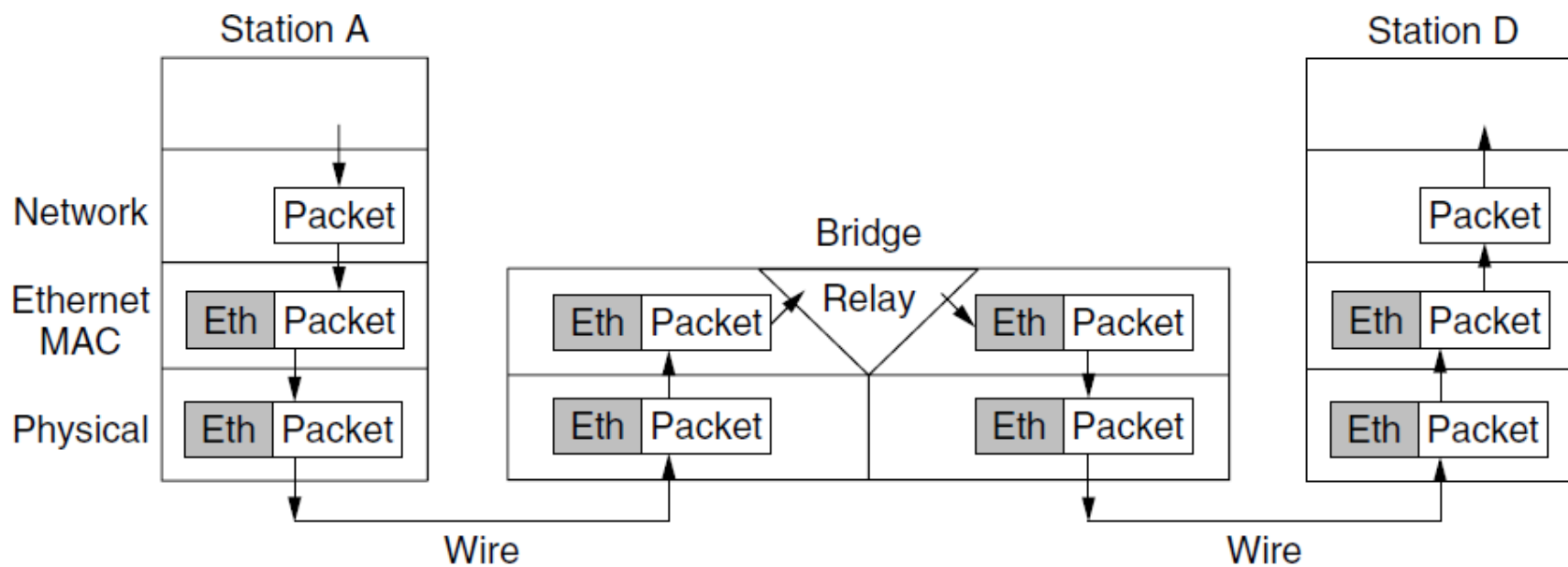
DATA LINK LAYER SWITCHING

Learning Bridges Bridges (and a hub) connecting seven point-to-point stations



DATA LINK LAYER SWITCHING

Protocol processing at a bridge



Multiple Choice Question

MUTIPLE CHOICE QUESTIONS:

Sr no	Question	Option A	Option B	OptionC	OptionD
1	Which one of the following is an architecture paradigms?	Peer to peer	Client-server	HTTP	Both Peer-to-Peer & Client-Server
2	Application developer has permission to decide the following on transport layer side	Transport layer protocol	Maximum buffer size	Both Transport layer protocol and Maximum buffer size	None of the mentioned
3	Application layer offers _____ service.	End to end	Process to process	Both End to end and Process to process	None of the mentioned
4	E-mail is _____	Loss-tolerant application	Bandwidth-sensitive application	Elastic application	None of the mentioned
5	Pick the odd one out.	File transfer	File download	E-mail	Interactive games

REFERENCES

- <http://www.engppt.com/2009/12/networking-fourzan-ppt-slides.html>

