



RAMA UNIVERSITY

www.ramauniversity.ac.in

FACULTY OF ENGINEERING & TECHNOLOGY

BCA-302 Computer Networks

Lecture-04

Mr. Dilip Kumar J Saini

Assistant Professor

Computer Science & Engineering

OUTLINE

➤ MODEL OF NETWORK COMPUTING

➤ LANs(Local Area Networks)

➤ MANs (Metropolitan Area Networks)

➤ Wide Area Networks (WANs)



MODEL OF NETWORK COMPUTING

➤ **Local Area Networks (LANs)**

- **Short distances**
- **Designed to provide local interconnectivity**

➤ **Wide Area Networks (WANs)**

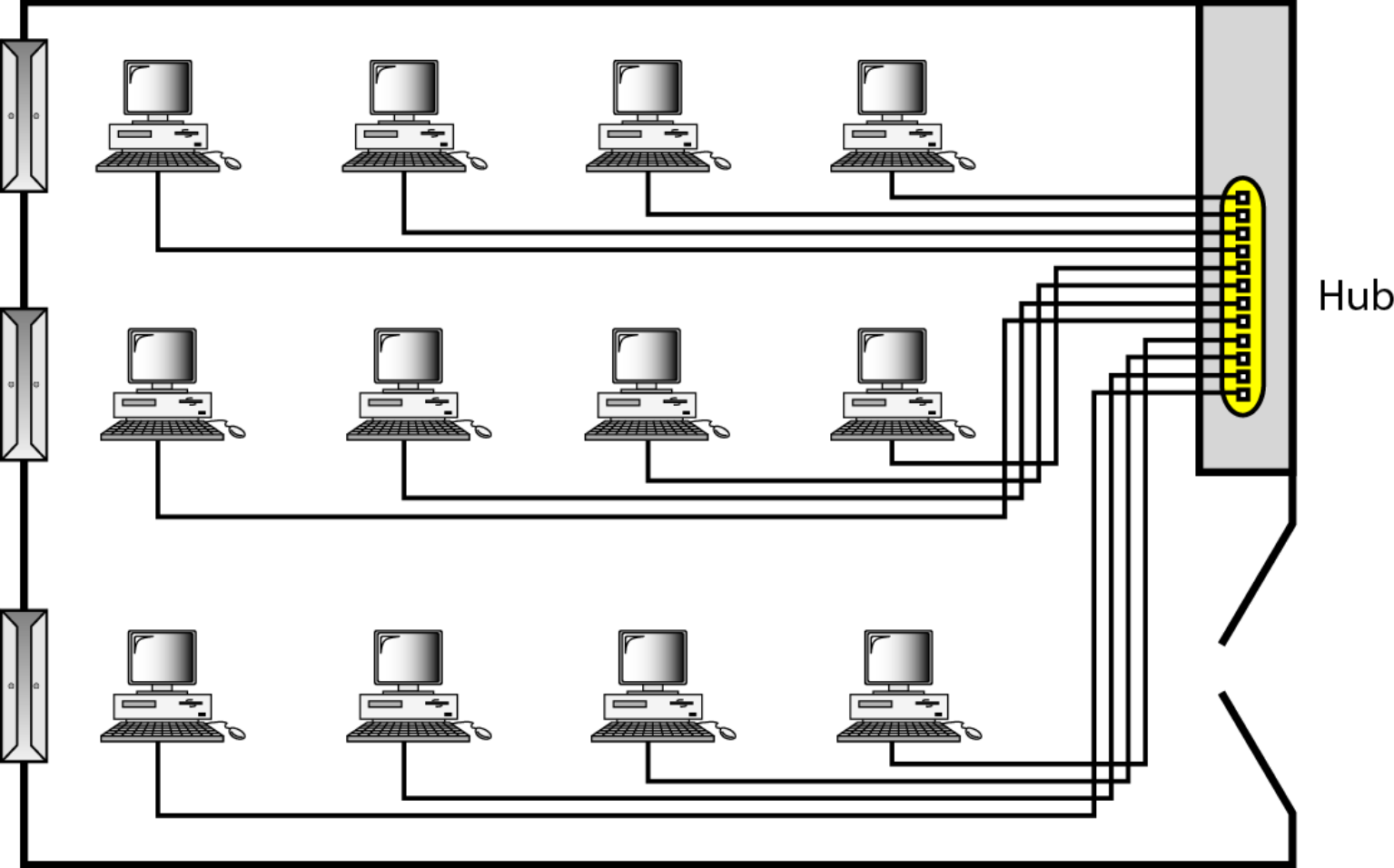
- **Long distances**
- **Provide connectivity over large areas**



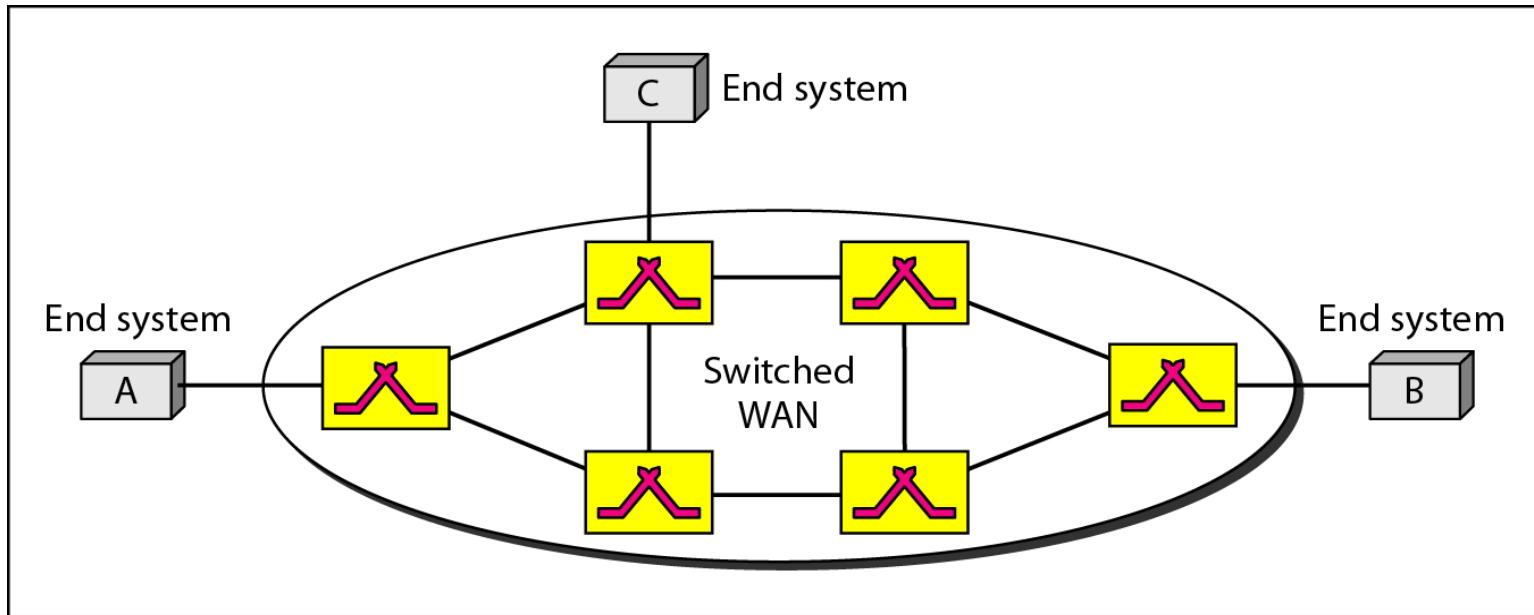
➤ **Metropolitan Area Networks (MANs)**

- **Provide connectivity over areas such as a city, a campus**

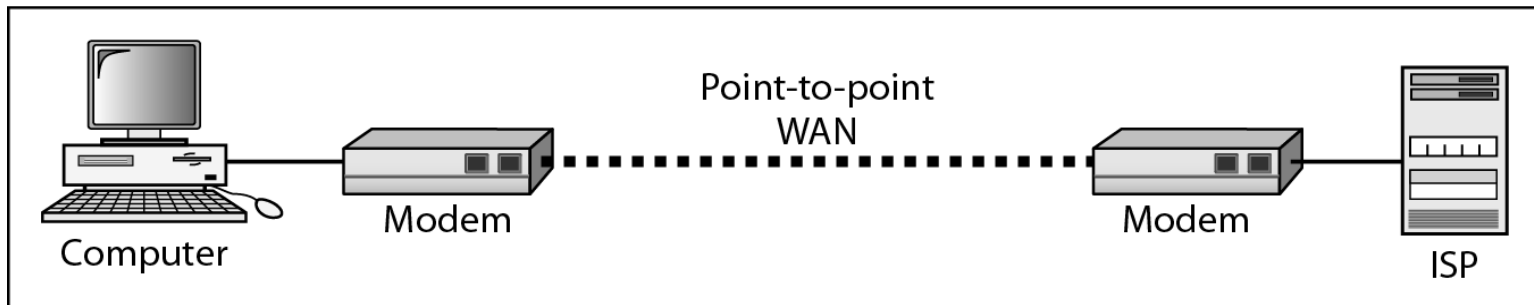
LAN connecting 12 computers to a hub



WANs: a switched WAN and a point-to-point WAN

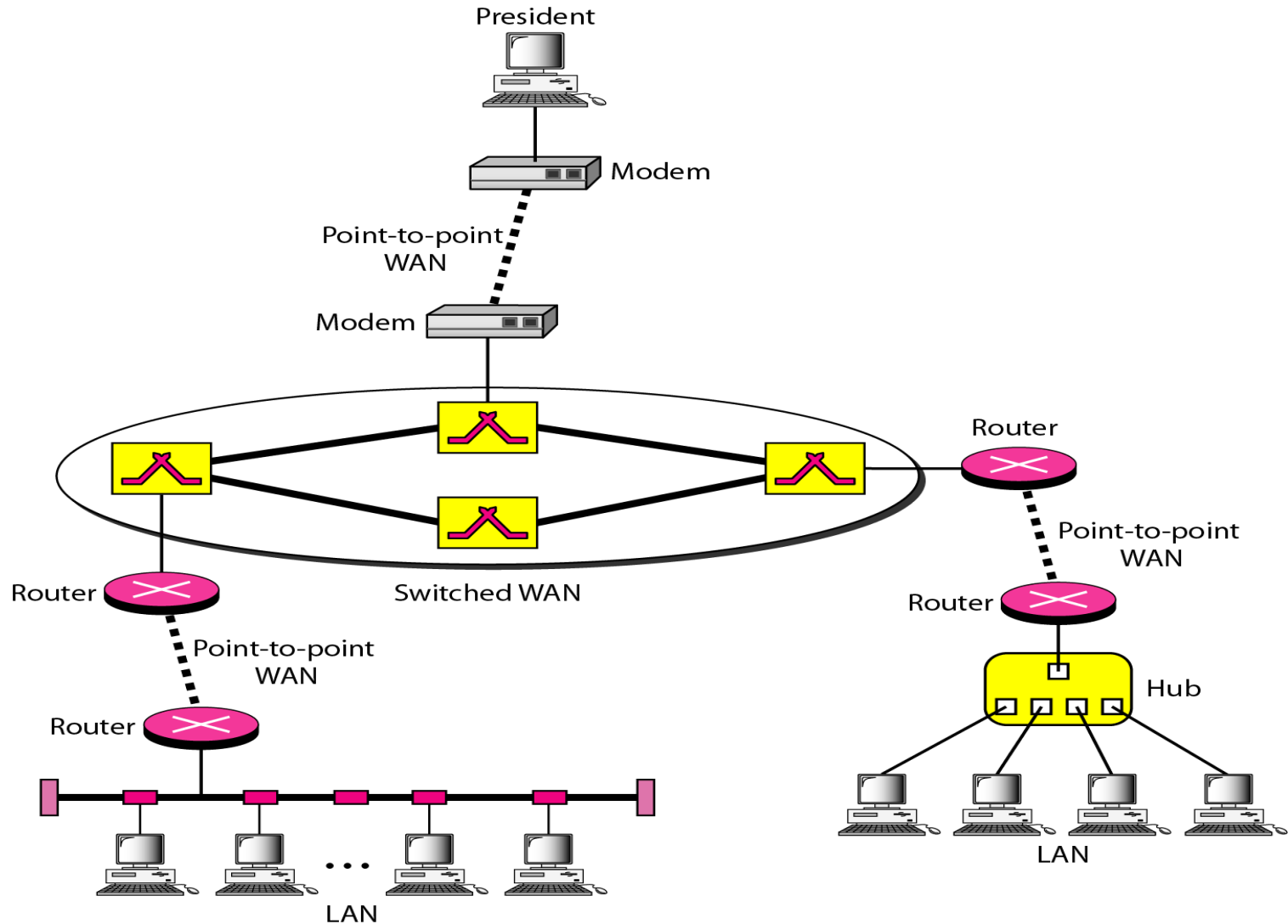


a. Switched WAN



b. Point-to-point WAN

A heterogeneous network made of four WANs and two LANs



Multiple Choice Question

MUTIPLE CHOICE QUESTIONS:

1. Ais usually privately owned and links the devices in a single office.

- a)LAN b)MAN c)WAN d) all of the above

2.can determine the category of a network

- A) Size B)Ownership C)The Physical architecture D)all of the above

3. Which of the following covers the smallest geographic area?

- A)PAN B)LAN C)MAN D)WAN

4. Which of the following is a collection of many separate Network?

- A)PAN B)LAN C)MAN D)WAN

5. A _____WAN can be developed using leased private lines or any other transmission facility

- A)Hybrid B)Peer-to-Peer C)Autonomous D)Integrated

REFERENCES

- <http://www.engppt.com/2009/12/networking-fourzan-ppt-slides.html>

