



# RAMA UNIVERSITY

[www.ramauniversity.ac.in](http://www.ramauniversity.ac.in)

## FACULTY OF ENGINEERING & TECHNOLOGY

### DCS-503 Computer Networks

#### Lecturer-16

**Mr. Dilip Kumar J Saini**

Assistant Professor

Computer Science & Engineering

# OUTLINE

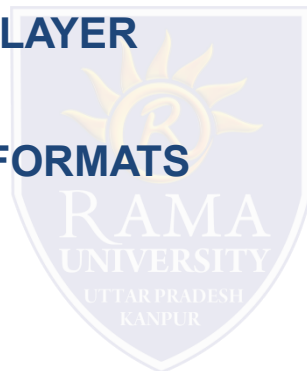
➤ **RFID EPC Gen 2 Architecture**

➤ **EPC GEN 2 PHYSICAL LAYER**

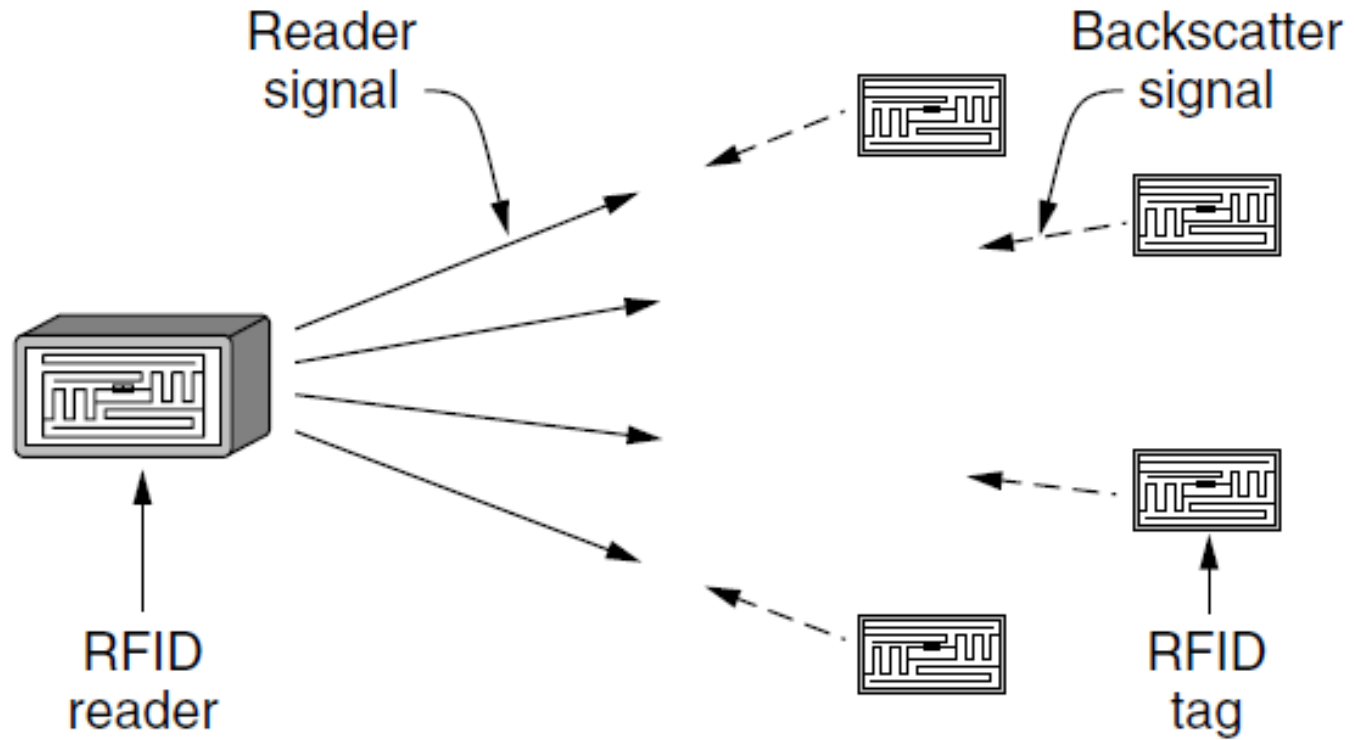
➤ **EPC GEN 2 TAG IDENTIFICATION LAYER**

➤ **TAG IDENTIFICATION MESSAGE FORMATS**

➤ **DATA LINK LAYER SWITCHING**

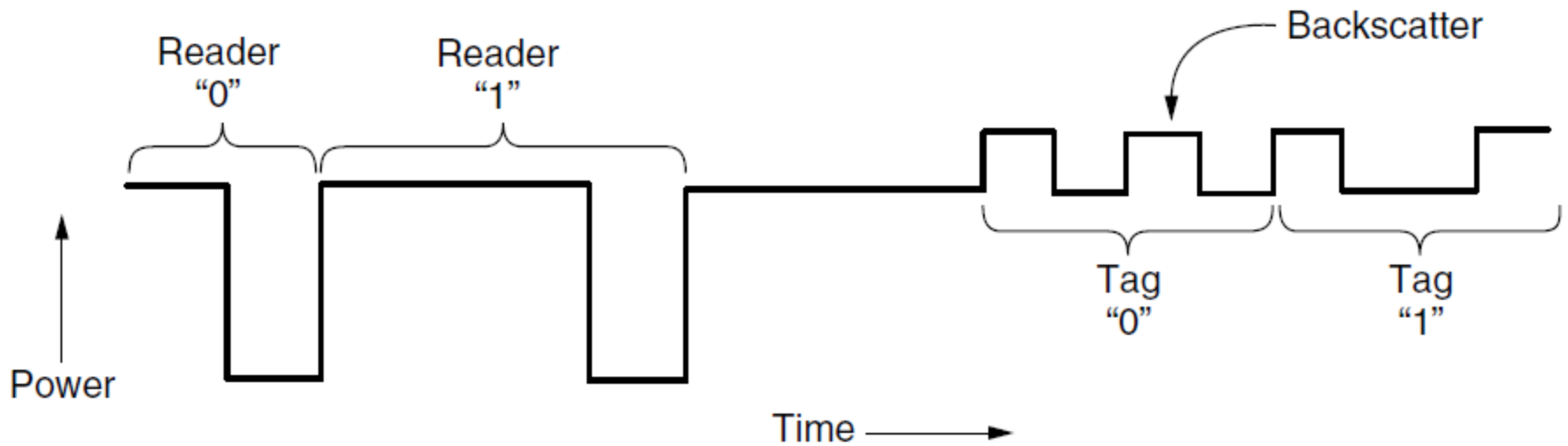


# RFID EPC Gen 2 Architecture

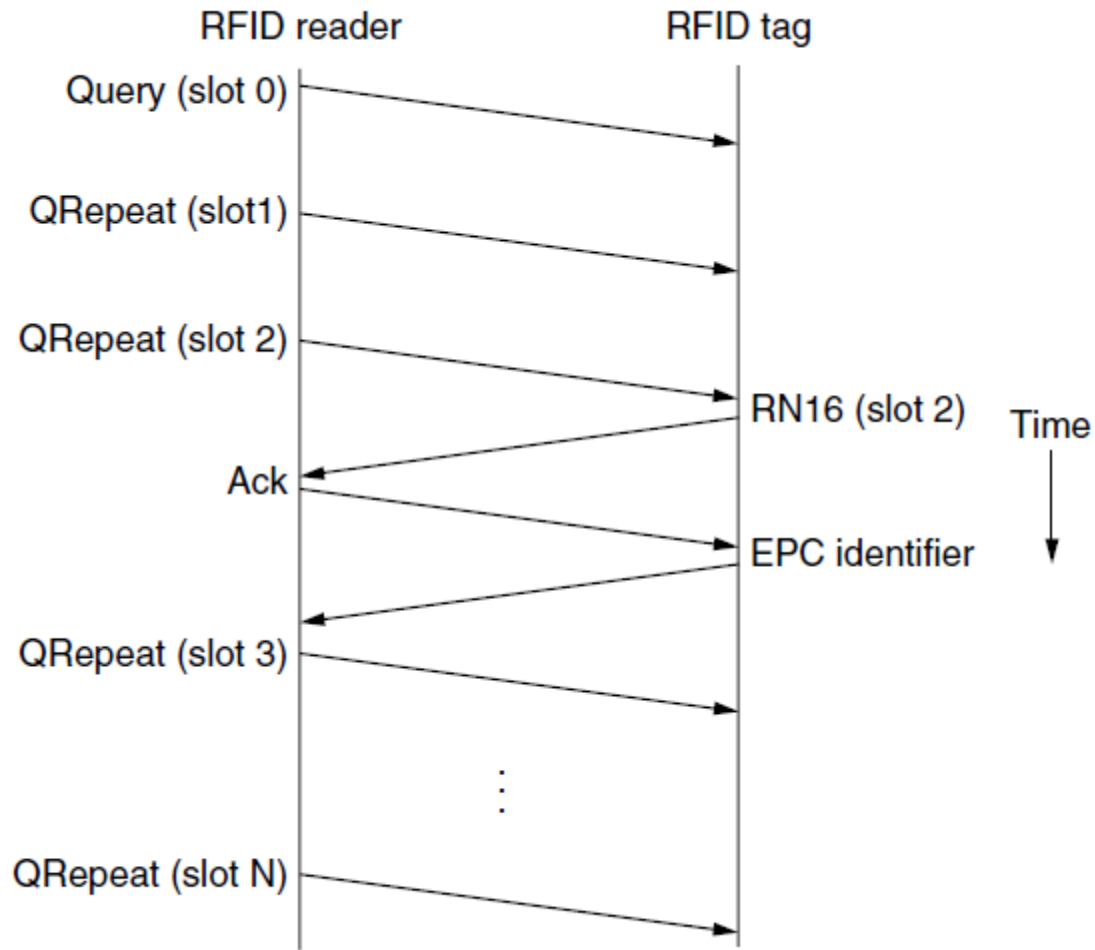


# EPC GEN 2 PHYSICAL LAYER

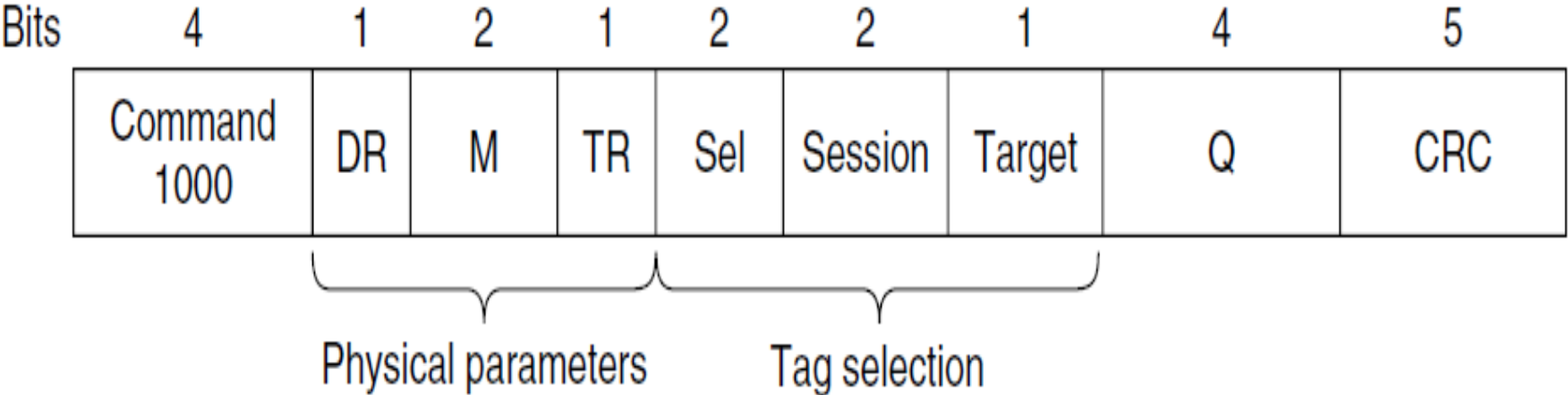
## Reader and tag backscatter signals



# EPC GEN 2 TAG IDENTIFICATION LAYER

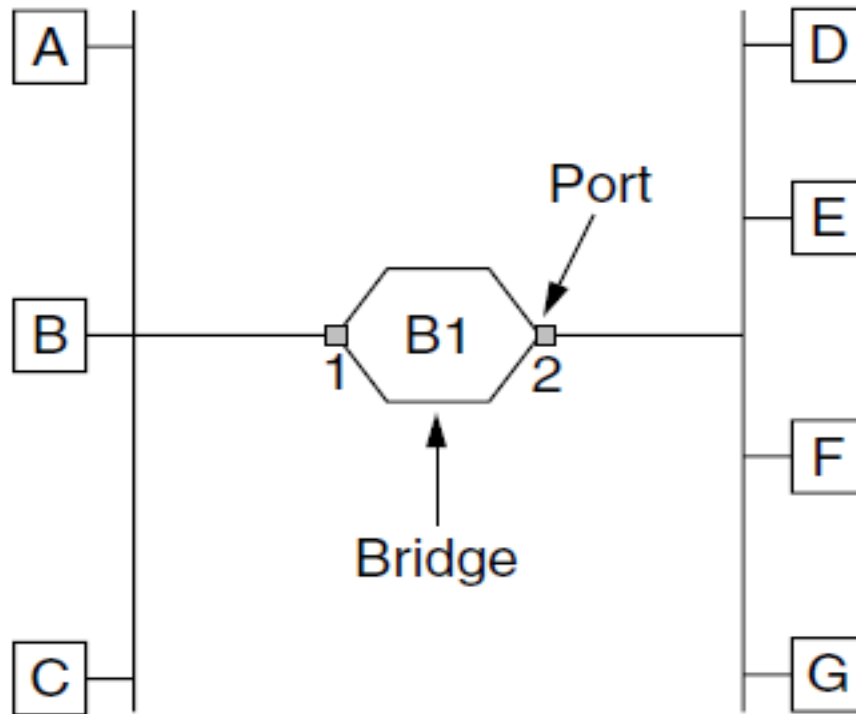


# TAG IDENTIFICATION MESSAGE FORMATS



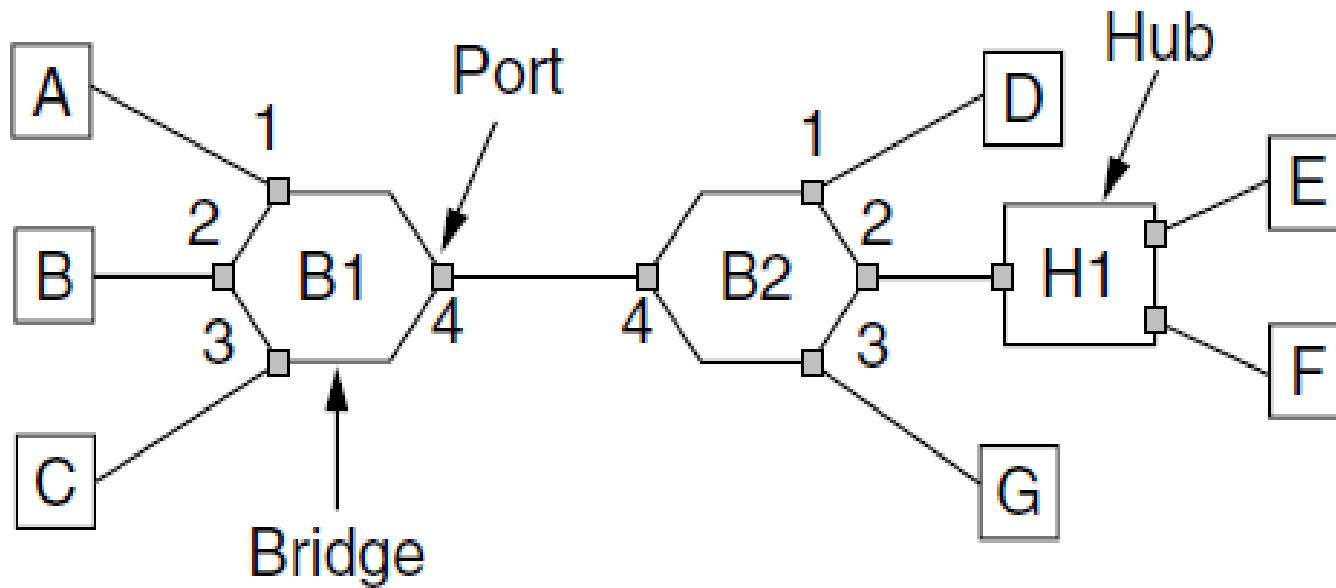
# DATA LINK LAYER SWITCHING

## Learning Bridges Bridge connecting two multidrop LANs



# DATA LINK LAYER SWITCHING

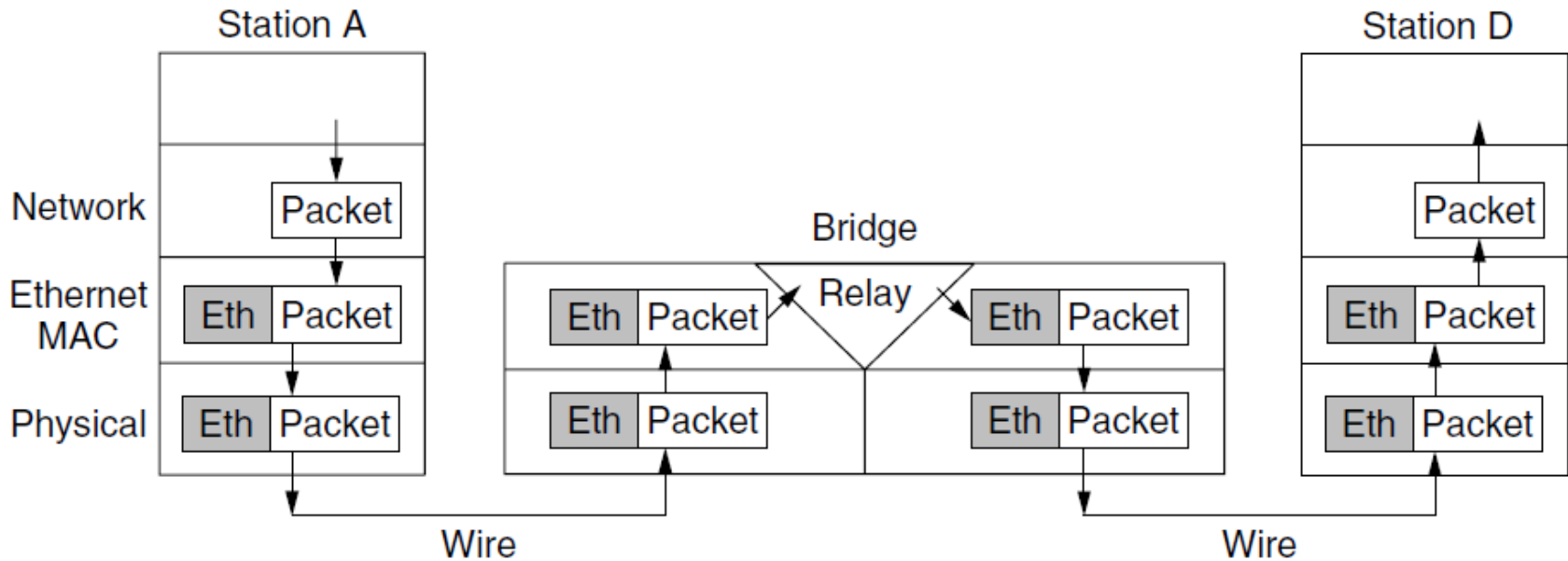
Learning Bridges Bridges (and a hub) connecting seven point-to-point stations





# DATA LINK LAYER SWITCHING

## Protocol processing at a bridge



# Multiple Choice Question

## MUTIPLE CHOICE QUESTIONS:

Sr no	Question	Option A	Option B	OptionC	OptionD
1	The combination of _____ and _____ is often termed the local address of the local portion of the IP address.	Network number and host number	Network number and subnet number	Subnet number and host number	Host number
2	Which of the following are Gigabit Ethernets?	1000 BASE-SX	1000 BASE-LX	1000 BASE-CX	All of the mentioned
3	_____ is a collective term for a number of Ethernet Standards that carry traffic at the nominal rate of 1000 Mbit/s against the original Ethernet speed of 10 Mbit/s.	Ethernet	Fast Ethernet	Gigabit Ethernet	Gigabyte Ethernet
4	_____ is another kind of fiber optic network with an active star for switching.	S/NET	SW/NET	NET/SW	FS/NET
5	A local telephone network is an example of a _____ network.	Packet switched	Circuit switched	Bit switched	Line switched

# REFERENCES

- <http://www.engppt.com/2009/12/networking-fourozan-ppt-slides.html>

