



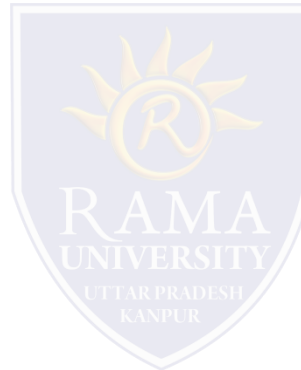
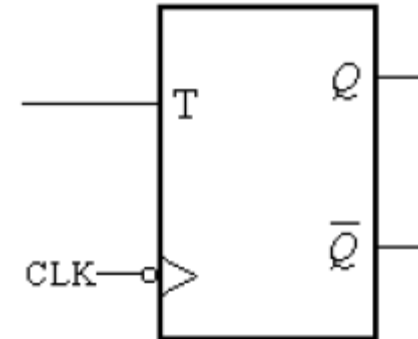
FACULTY OF ENGINEERING & TECHNOLOGY

Dileep Kumar
Assistant Prof. EE Deptt

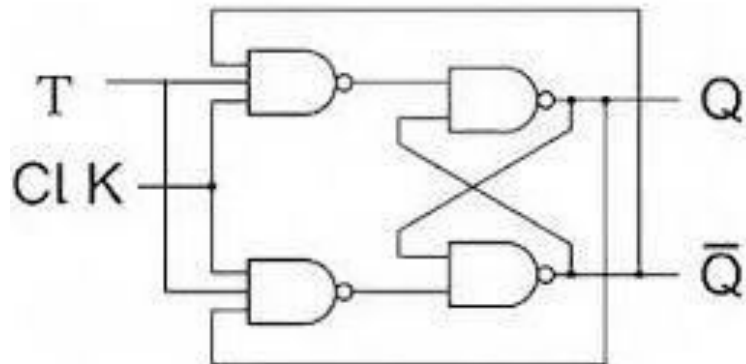
FLIP-FLOP

T Flip Flop - Symbol & Truth Table

- The T flip flop has only the Toggle and Hold Operation.
- If Toggle mode operation. The output will toggle from 1 to 0 or vice versa.



T Flip Flop –Logic Circuit

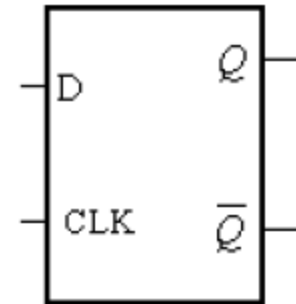


Input T	Previous output Q	Next Output Q	Mode of Operation
0	0	0	Store
0	1	1	
1	0	1	Complement
1	1	0	

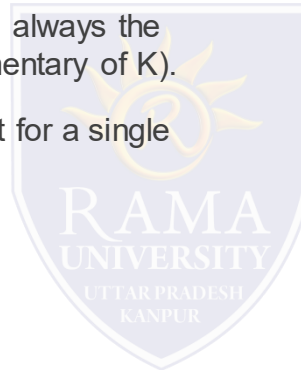
FLIP-FLOP

D Flip Flop - Symbol & Truth Table

- Also Known as Data Flip flop
- Can be constructed from RS Flip Flop or JK Flip flop by addition of an inverter.
- Inverter is connected so that the R input is always the inverse of S (or J input is always complementary of K).
- The D flip flop will act as a storage element for a single binary digit (Bit).



D_n	Q_n	Q_{n+1}
0	0	0
0	1	0
1	0	1
1	1	1



D Flip Flop –Logic Circuit

